



## Oven Milano double Stainless Steel

Ovens

Code: 7169 900

Multifunction pyrolitic double oven  
12 cooking functions  
Satin finish Stainless steel door  
4 knobs and 6 touch keys



### DETAILS

**Oven type** Multifunction Pyrolitic Double Oven

**Door finishing** Satin finish Stainless Steel

**Cooking Functions** 12

**Control type** Electronic

**Temperature control** Electronic

**Commands** 4 knobs / 6 touch keys

**Language** English

### Cavity

Usable capacity 4.1CuFt

---

Cavity finish Dark gray pyrolitic enamel

---

Rack positions 6

---

Lighting Triple asimmetrical halogen (20W) lighting

---

Broil upper heating element 3,500 W (240 V)

---

Upper aux element 1,032 W (240 V)

---

Concealed bake lower heating element 3,000 W (240 V)

---

Convection element 2 x 1,300 W (240 V)

---

## Door

---

Door Glasses 4 heat resistant glasses

---

Inner side Full glass

---

Hinges Heavy duty Steady Tilt

---

Handle Satin finish Stainless steel handle

---

## Special features

---

Cleaning function Pyrolitic self clean

---

Probe T control Yes

---

Preset/last used temperature memory Yes

---

Preheat bar (25%, 50%, 75%, 100%) Yes

---

Safety Keyboard lock, Child door lock

---

Temperature unit °C/°F

---

Clock format 12/24 Hours

---

## **Delivered accessories**

---

Chromed racks 2 per cavity

---

Telescopic chromed rack 1 per cavity

---

Enamelled grill set 1 per cavity

---

Meat Probe 1

---

## **Technical Specifications**

---

Electric supply 120/240VAC – 60Hz // 120/208VAC – 60Hz

---

Max Amp usage, power rating (240V,60Hz) 33.8 – 7.68kW

---

Max Amp usage, power rating (208V,60Hz) 32.4 – 6.48kW

---

Cable + conduit Yes

---

Plug No

---

**Certification** US & CA (ETL)

---

Warranty 24 months

---

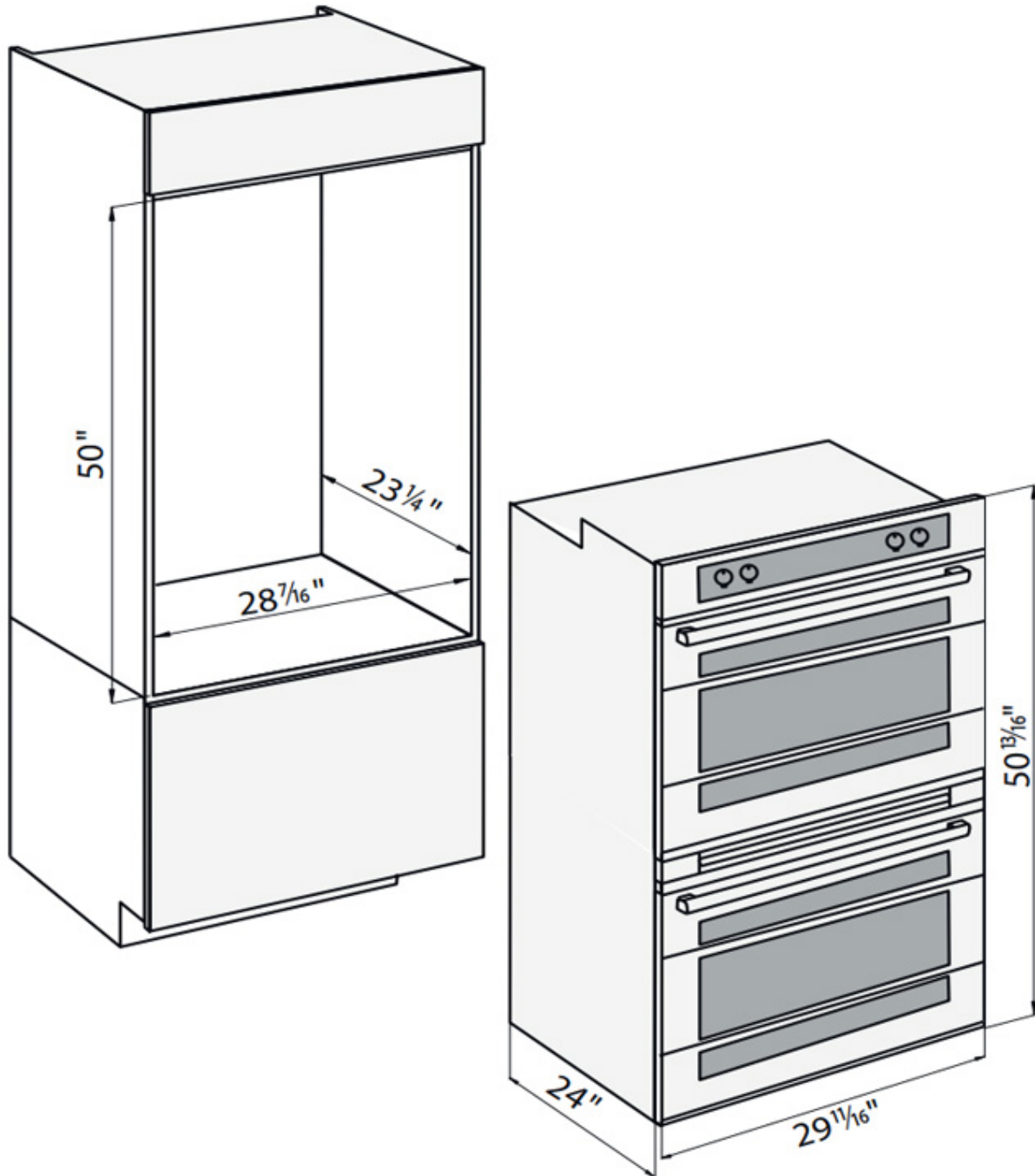
**Cooking Functions** Pyrolytic Sel Clean with automatic door lock, Dual convection Bake, convection Broil, Convection Roast, Lower Convection (Pizza function), Bake, Broil, Delicate cooking, Defrost, Proof warm, Keep warm (warm plus), Light, Fast preheating

---

**Notes:** All the informations under the category "Cavity" must be duplicated per two (because of double oven)

---

## TECHNICAL DATA



## GALLERY

