

Professional Rangetop 5 burners - 3169 900

Rangetop

Code: 3169 900

AISI 304 Stainless steel

Satin finish

Enamelled cast iron grids and burner covers

Electric under-knob ignition

Gas taps with safety valves



DETAILS

Material AISI 304 stainless steel

Texture Satin

Dimensions 35 55/64" x 27"

Maintop AISI 304 Stainless Steel

Grids Enamelled cast iron

Cooktop controls Knobs

Safety Safety valves

Total power Btu 31,600 Btu/h

Burners 5

Triple crown 11,000 Btu/h

Rapid 10,750 Btu/h

Semirapid 5,100 (2x) Btu/h

Auxiliary 2,800 Btu/h

Simmer ring 1

Simmer Rate 900

Technical requirements

Electrical supply 120V 60Hz

Gas std setting Natural Gas

LP Gas conversion Kit for all burners included

Optional accessories Cast iron wok support

FEATURES

Cast iron grids Cast-iron is the ideal material for an hob grid, this due to the manifold properties characterising it: high heat capacity that improves cooking performance; high weight and stability that improve safety; sturdiness that preserves the hob's original aspect over time; easy cleaning.

Safe cooking

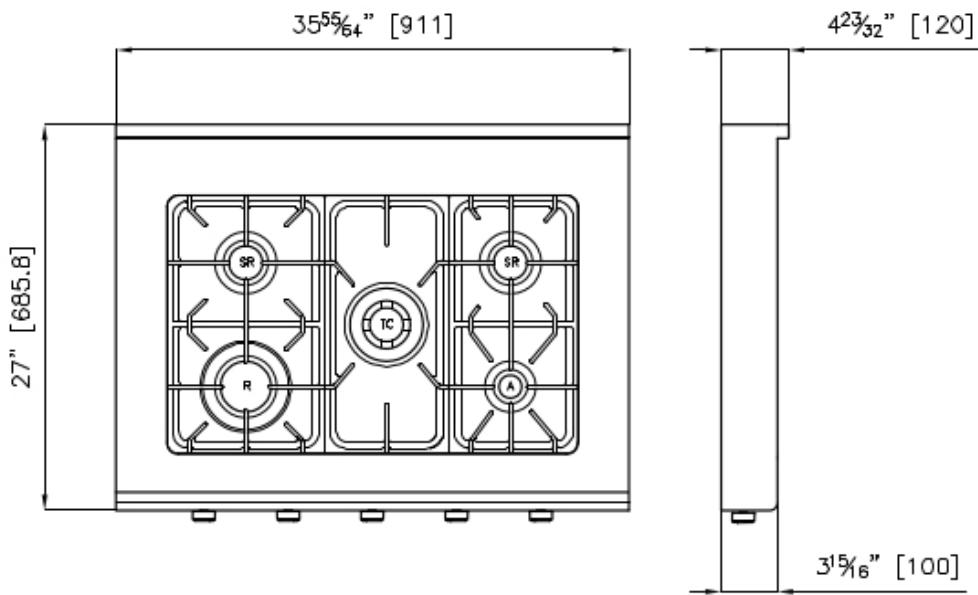
All Foster cooker hobs are equipped with safety valves. They shut off the gas supply very quickly if the flame accidentally goes out.

Under-knob ignition

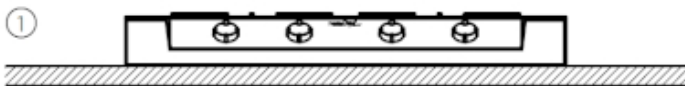
The utmost freedom of movement with electronic under-knob ignition, a common feature of all models that allows a one-hand ignition of the burner.

TECHNICAL DATA

DIMENSIONS



CUT OUT



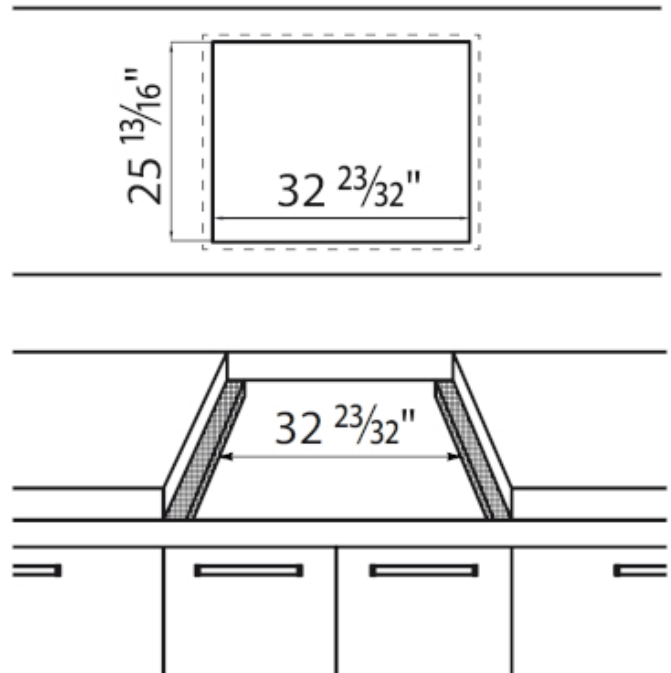
1. Sit-up installation on the worktop



2. Sit-up installation on the cabinets and protruding over the worktop



3. Built-in installation flush with the worktop



OPTIONAL ACCESSORIES



Cast Iron Wok Support 9601 727