



## Hood Milano Wall

Hoods

Code: 2456 911 - 2456 901 - 2457 901

**Code: 2456 911 - 30"**

**Code: 2456 901 - 36"**

**Code: 2457 901 - 48"**

Wall-mounted suction hood

Satin finish stainless steel

4 speed

Aluminium die-cast motor housing



### DETAILS

Hood type Wall-mounted suction Hood

---

Hood finishing Satin Finish stainless steel

---

**Dimensions**  
2456 911 (30"): 30.5" x 19.7" x min 24.8" / max 41.3"  
2456 901 (36"): 35.4" x 19.7" x min 24.8" / max 41.3"  
2457 901 (48"): 47.2" x 19.7" x min 24.8" / max 41.3"

---

Control type Button panel

---

Speed 4 speed

---

Grease filters Filter in anodized aluminium (5+1 layers)

---

Charcoal filters Optional

---

Lighting 2 x 2.1 W Led spotlight - 4,000°K

---

Delay off timer Yes

---

Light switch Yes

---

Air Outlet 3.5 <sup>29/32"</sup>

---

Model Aluminium die-cast motor housing

---

Air flow rate 600 CFM

---

Pressure 680 Pa

---

Noise level 64 dBA

---

Electrical requirements 120VAC – 60Hz

---

Max Amp usage, power rating 3,5A

---

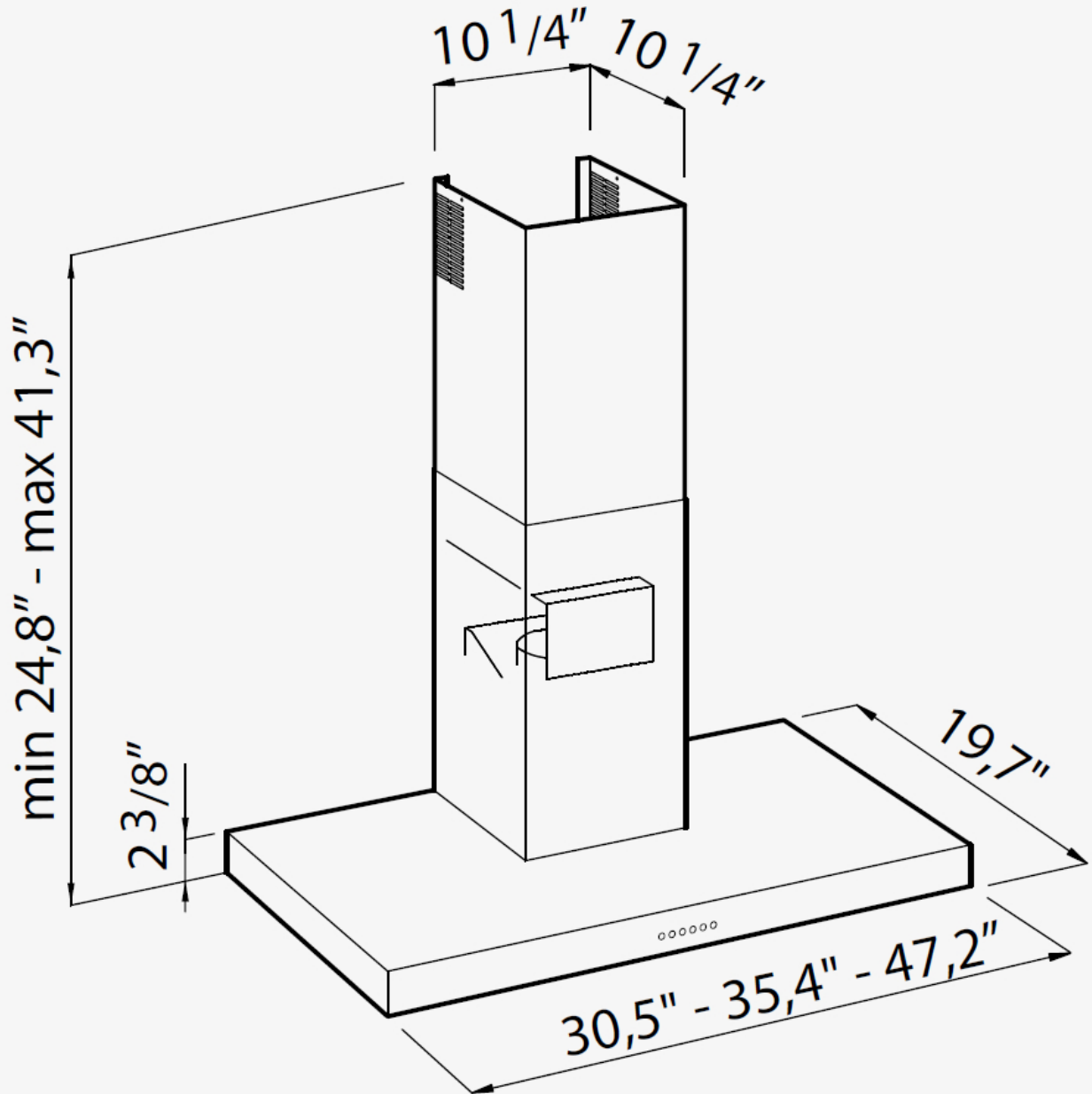
**Accessories** Charcoal filters kit - 9700 901

---

**Certifications** CSA Certified for US & Canada

---

## TECHNICAL DATA



## GALLERY

