

Michelangelo Vintage Sink 1B – 32" x 15" – UM - 1415 680

Sinks

Code: 1415 680

AISI 304 Stainless steel
Vintage finish
Undermount
x cross bending for easy water draining



DETAILS

Series Michelangelo Series

Texture Satin

Edge/Installation Type Undermount

Material AISI 304 stainless steel

Thickness 16 Gauge (1.5 mm)

Overall dimensions 34 ²¹/₆₄" x 17 ⁴⁴/₆₄"

Bowls dimensions 1 bowl 30" x 15 ⁶/₈"

Bowls depht 10 "

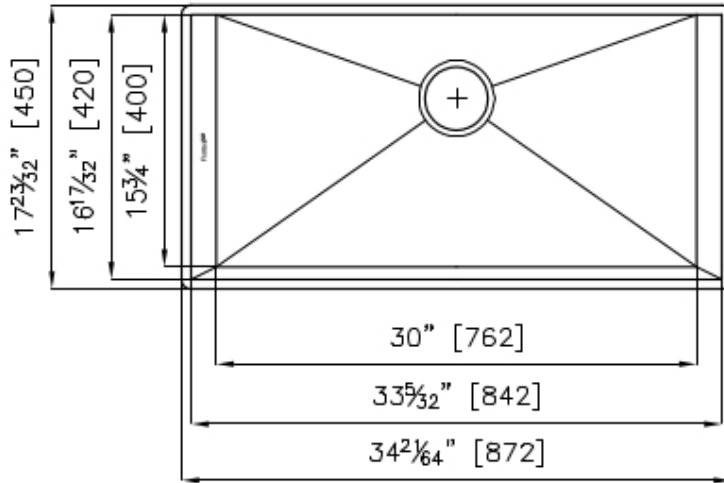
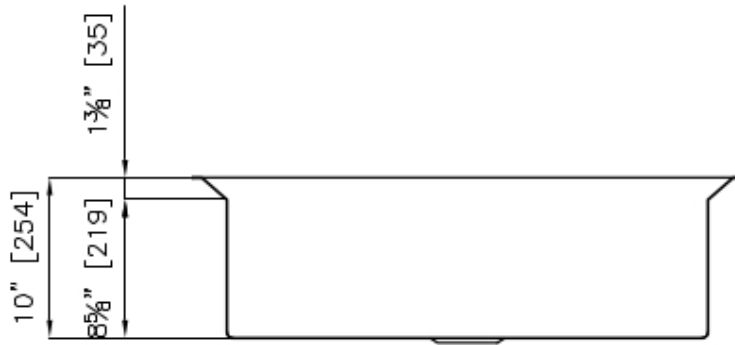
Cut out	See technical sheet
Waste fitting type	3 1/2" space – with satin steel cover
Bowls bottom	X cross bending for easy water draining
Underside	Protected with heavy duty undercoating
Fixing system	Undermount fixing kit (brass insert and clips)

FEATURES

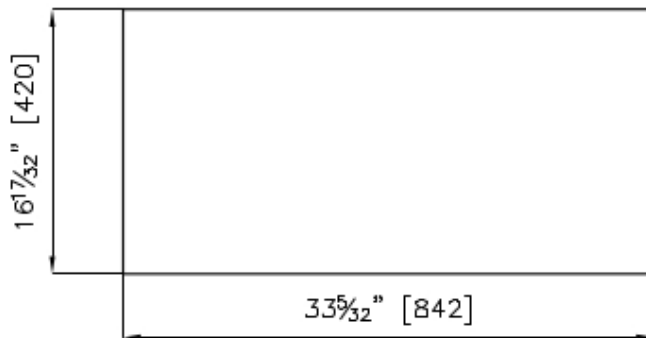
Diamond-shape bottom	The draining of water is an important feature in a sink, and it's always taken good care of in Foster products. In the bent-welded sinks, which would have a flat bottom, the proper draining is guaranteed by the elegant beveling, which helps the water flow.
High thickness	1.5 mm thick steel. A significant thickness, which guarantees the maximum sturdiness and durability.
Inclined recess	A deep and inclined recess houses the burners and grigs, allowing to create a single work surface. The inclination also makes it extremely easy to clean the edges.
Save space system	Drain and siphon are designed to leave as much space as possible in the under-sink area, more and more useful today for theseparate waste collection systems.
Squared bowls - 0/9 radius	The square bowls of Foster have perfectly squared vertical edges, while those on the bottom have a small radius of 9 mm that facilitates cleaning operations.

TECHNICAL DATA

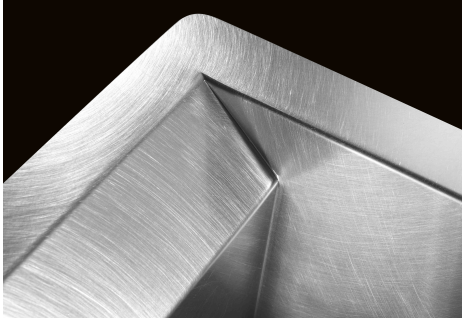
DIMENSIONS



CUT OUT



GALLERY



OPTIONAL ACCESSORIES



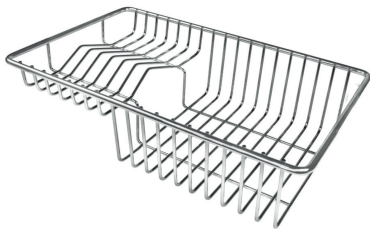
Chopping board 8656 001



Grating kit complete with ring support and food collection tray 8159 101



HDPE Twin Chopping Board 8644 100



Stainless Steel dishes holder 8100 303



Stainless steel perforated pan 8151 000

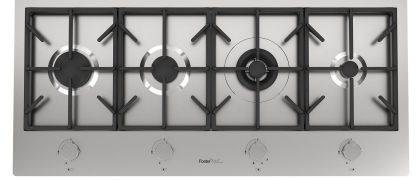
RECOMMENDED PAIRINGS



Faucet Capri | Polished finish -
8467 005



Faucet Salina | Polished Finish -
8487 005



Milano Cooktop 4 burners inLine
- 7640 900



Milano Induction Cooktop 4 Plate
inLine - 7334 945