

## Sink Leonardo 32" x 20" – U/M

Kitchen Sinks

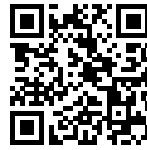
Code: 1021 660

AISI 304 Stainless steel

Satin finish

Undermount

x cross bending for easy water draining



### DETAILS

Edge/Installation Type Undermount

---

Series Leonardo

---

Texture Satin

---

Material AISI 304 stainless steel

---

Thickness 16 Gauge (1.5 mm)

---

Overall dimensions 31 1/2" x 19 5/16"

---

Bowls dimensions 1 bowl 30" x 15 3/4"

---

Bowls depht 10 "

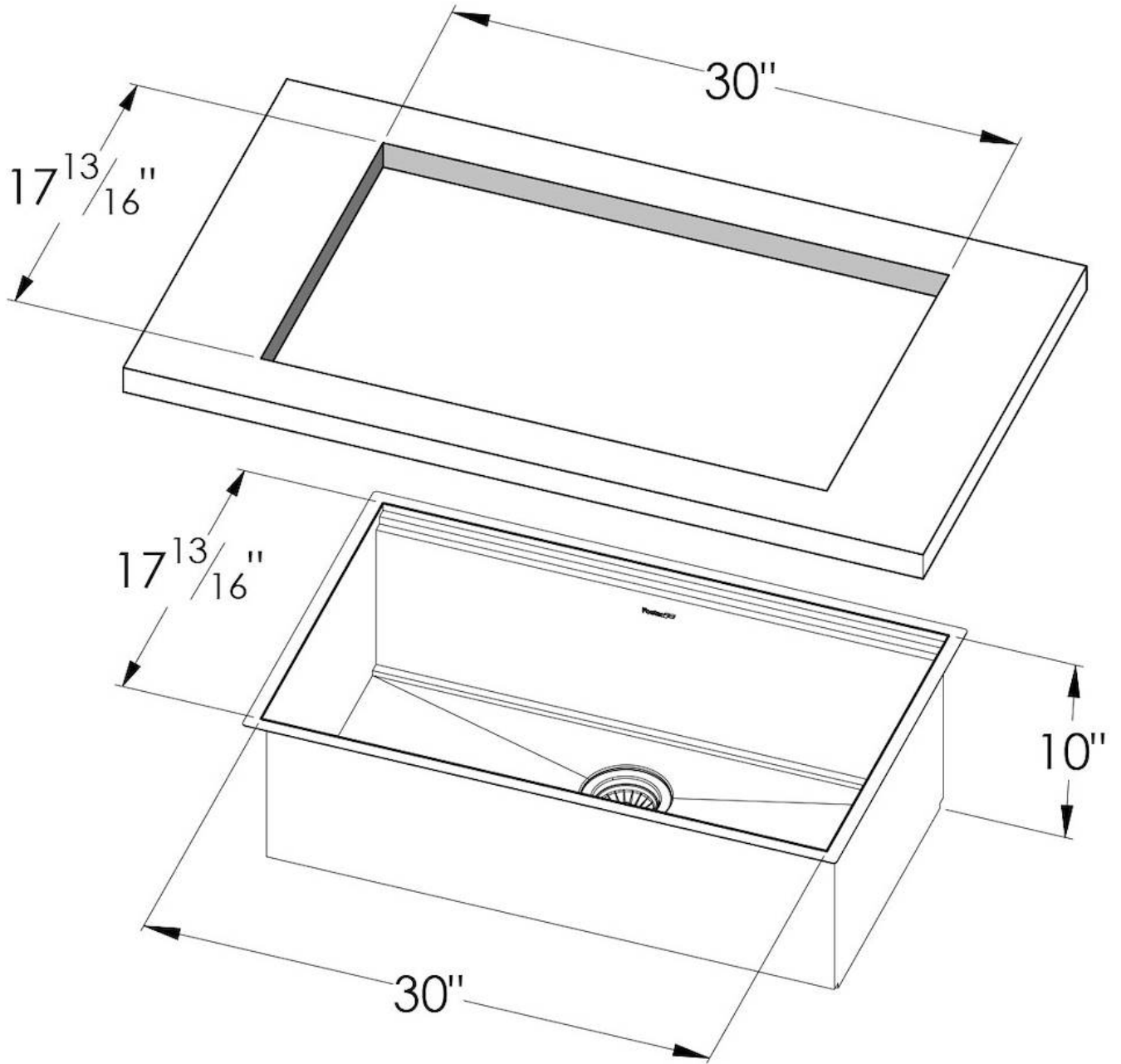
---

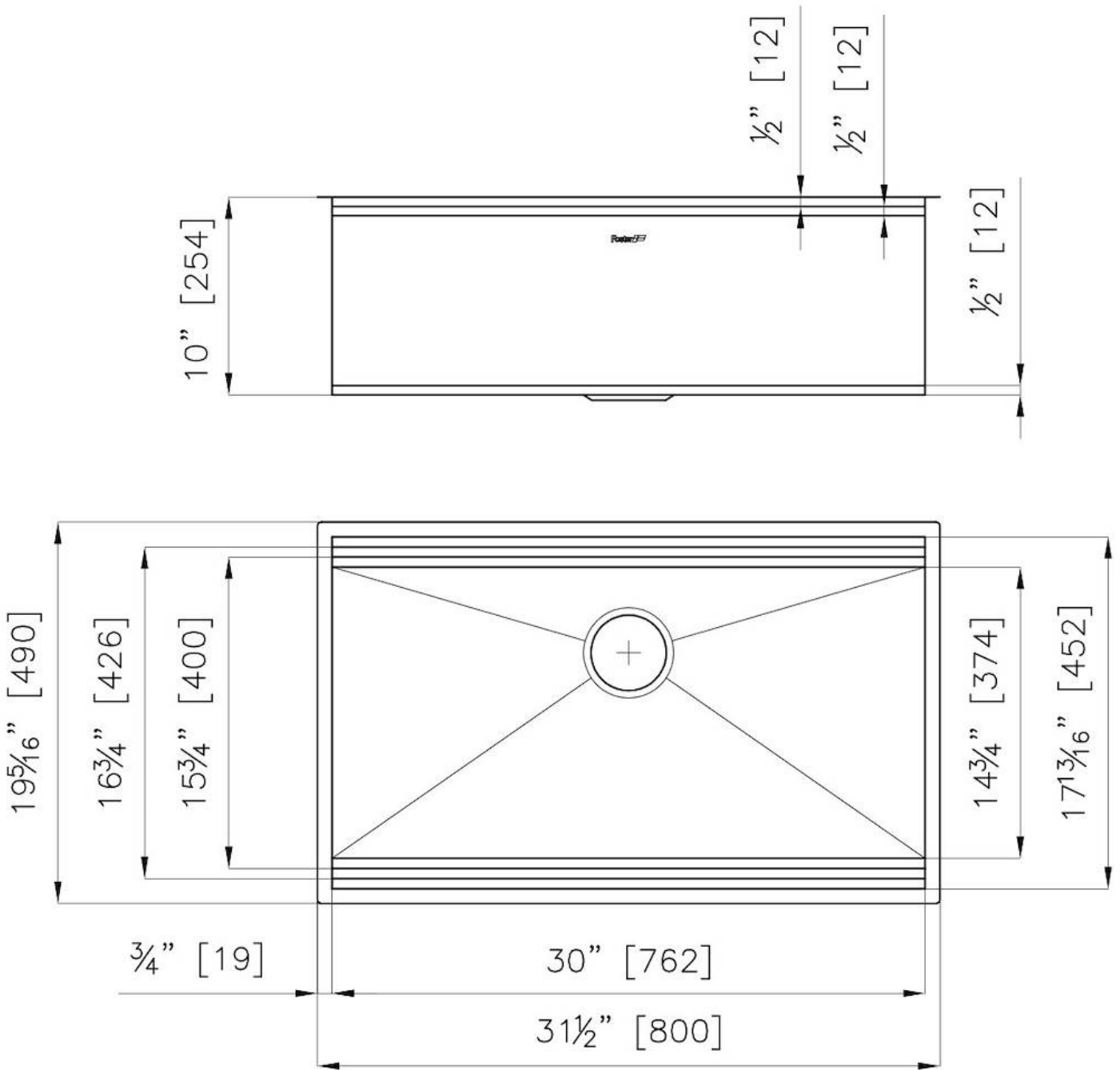
Cut out	30" x 17 <sup>13/16</sup> "
Waste fitting type	3 1/2" - with stainless steel basket
Bowls bottom	X cross bending for easy water draining
Underside	Protected with heavy duty undercoating
Fixing system	Undermount fixing kit (brass insert and clips)

## FEATURES

Diamond-shape bottom	The draining of water is an important feature in a sink, and it's always taken good care of in Foster products. In the bent-welded sinks, which would have a flat bottom, the proper draining is guaranteed by the elegant beveling, which helps the water flow.
High thickness	1.5 mm thick steel. A significant thickness, which guarantees the maximum sturdiness and durability.
Basket 3,5" waste fitting	The drain is equipped with a large 3.5" drain, with the practical basket cap that prevents the discharge of solid parts.
Triple recess - sliding accessories	The Foster Milano sink has an ingenious design that makes it simple to use a large set of optional accessories. On the topmost supporting step, the innovative Black grids slide, creating a large and practical surface to rinse food and crockery. The second step is meant to support and allow the sliding of a complete combination of accessories, which make some operations practical and safe: rinse, drain, slice, grate... everything can be done inside the sink. The third supporting step is on the bottom of the bowl. On this step one can rest the Black grids, making it possible to rinse foodstuffs without their coming in contact with the bottom of the sink, which may be dirty.

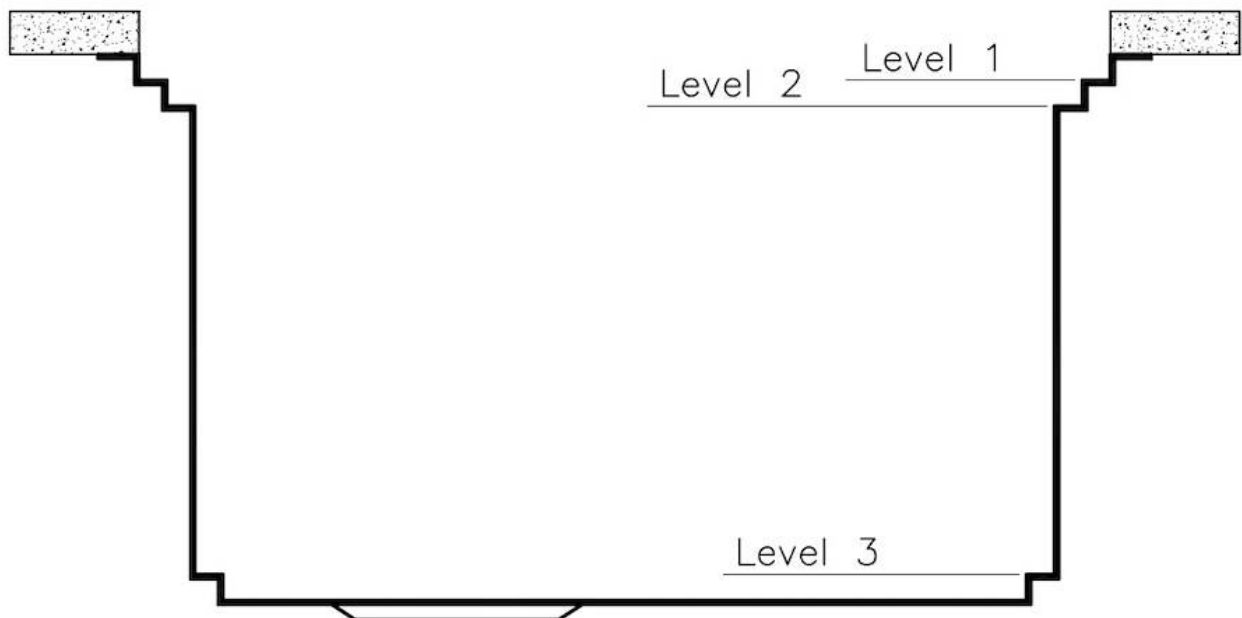
## TECHNICAL DATA





## Leonardo Optional accessories

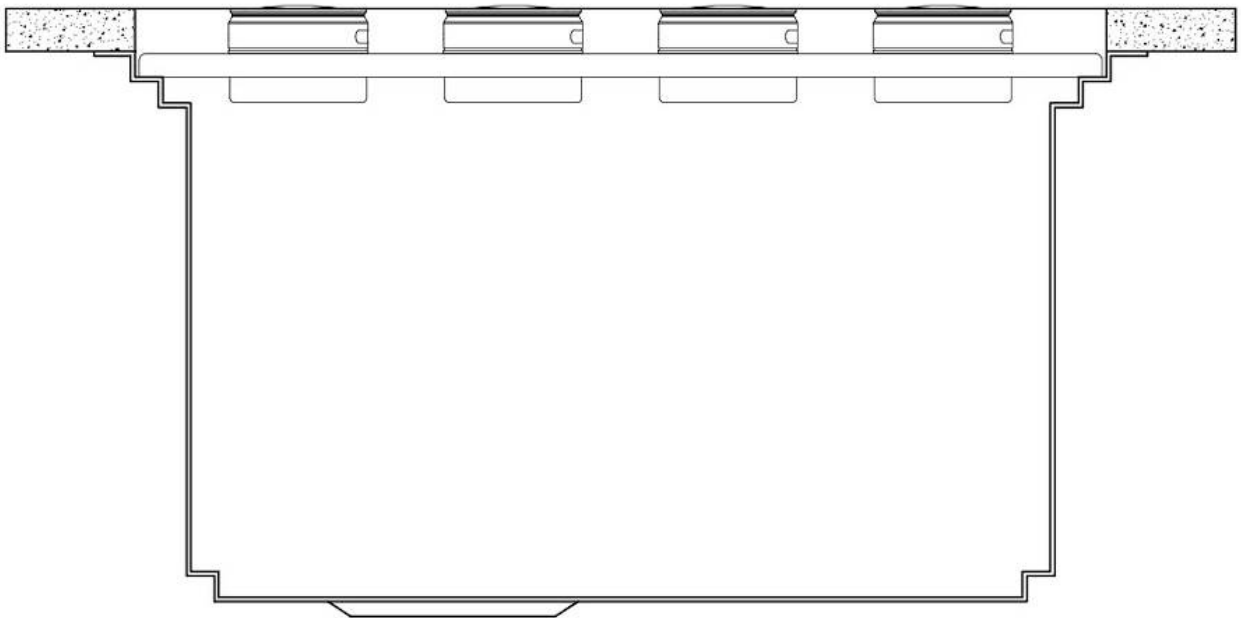
The "rails" system makes it possible to use a combination of numerous accessories. Grids, chopping boards, utensils' ranging system, bowls and containers of different dimensions can be alternated in the workspace with a simple gesture, and can easily be stacked, in order to be on hand at all times.



## Leonardo Level 1

Compatible accessories:

8100 600  
8100 601  
8100 620  
8100 621  
8100 622  
8642 000



## Leonardo Level 2

Compatible accessories:

8153 100

8631 300

8644 101



## Leonardo Level 3

Compatible accessories:

8100 600





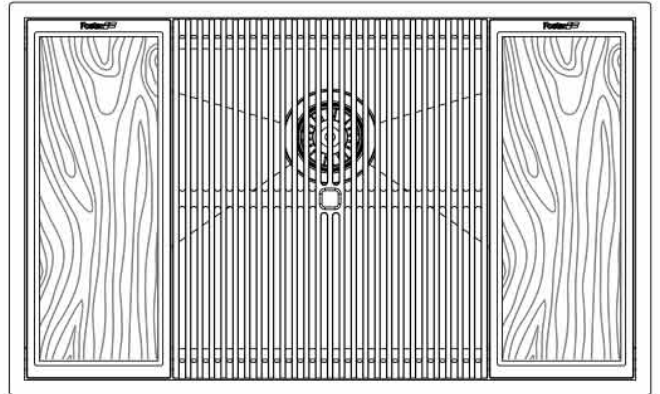
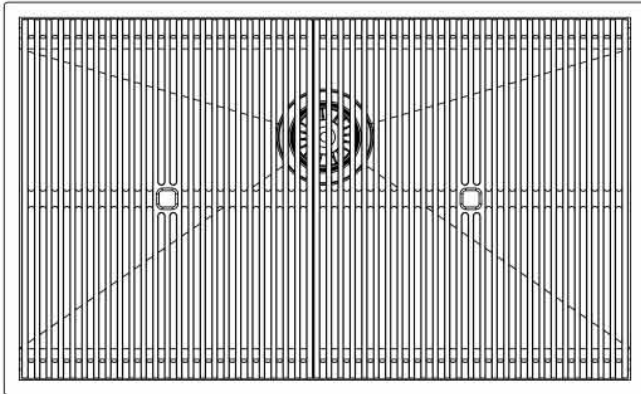
8100 601

8100 600

8642 000

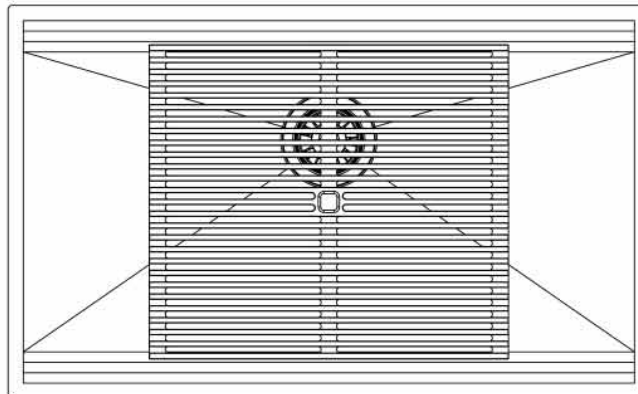
8100 600

8642 000



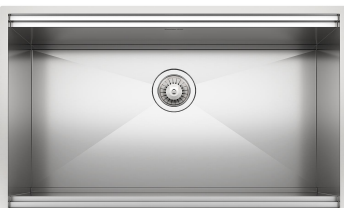
Edge positioning

8100 600



Bottom positioning

## GALLERY



## OPTIONAL ACCESSORIES



3 Bottles-holder set



3 Bowls set



4 Spices-holder set



Black Grid



Black Grid



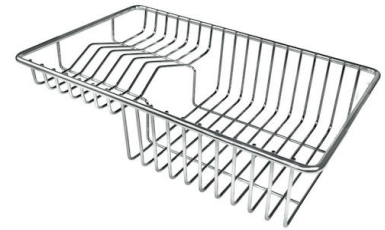
Chopping Board



Chopping Board



Grating kit complete with ring support and food collection tray



Stainless Steel dishes holder



Stainless steel perforated pan



Twin Chopping Board



Waste disposer throat



White bowl

**WARNING:**

The accessories 8159101, 8100303, 8151000 are only usable in combination with 8644101

## RECOMMENDED PAIRINGS



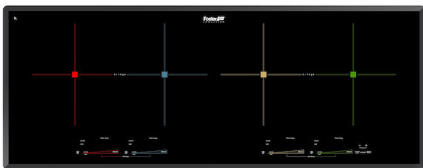
Faucet Capri



Faucet Salina



Milano Cooktop 4 burners inLine



Milano Induction Cooktop 4 Plate inLine